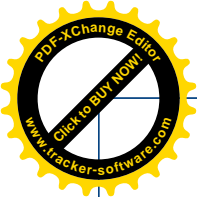


# Block A - Ground Floor

Type A Lighting Density  
 ICA: 95.42m2  
 10 @ 25W = 250W  
 Total W = 250W  
 W/m2 = 2.62W/m2

Designed by: <b>J.A. Russell Ltd</b> ELECTRICAL & DATA SUPPLIERS PH:(09) 357 4450 david.barrett@jarussell.co.nz Lighting Design 2020 © J.A.Russell Ltd	<b>Radcliffe</b> ELECTRICAL	Client: <b>DSB ELECTRICAL</b>	Project Name: Kainga Ora Residential Development	Designed by: <b>DB</b>	Date: 18/11/2020	Design No: <b>LSD06946-1</b>
			Project Address: 8-18 Edmonton Ave, Onehunga, Auckland	Checked by:	Date: 18/11/2020	Revision: <b>2</b>



**Luminaire Schedule**

Symbol	Qty	Label	Lumens	LLF	Description	Power	Brand	Code	Image
	9	C	1459.7	0.750	PANTHER 14W LED1500 OPAL ROUND WHITE 3_4_57K L80_50HRS IP65 IK10	14.2	THORN LIGHTING	96294676	
	33	CEM	1459.7	0.750	PANTHER 14W LED1500 OPAL ROUND WHITE 3_4_57K L80_50HRS IP65 IK10 EM-MAINS	14.2	THORN LIGHTING	96294676	
	12	EX2	N.A.	0.001	EXIT SIGN LED 24M IP65 UNIVERSAL MOUNT ECONOMY LITHIUM IK10	1.535	CLEVERTRONICS	EWELED-LI	
	5	EM1	N.A.	1.000	GUARDIAN LED FLOOD 2 x 2W NON-MAINT IP65 WITH LITHIUM BATTERIES	2.016	GERARD LIGHTING	GRLED7FL-L + GRWPENCL	
	198	D	1188	0.700	ACL CEILING LIGHT 25W LED TRI COLOUR 3K_4K_5K RND WHITE L70_25HRS IP54	26	AMBIUS LIGHTING	ACL25W3T	

# Luminaire Images



Label : C



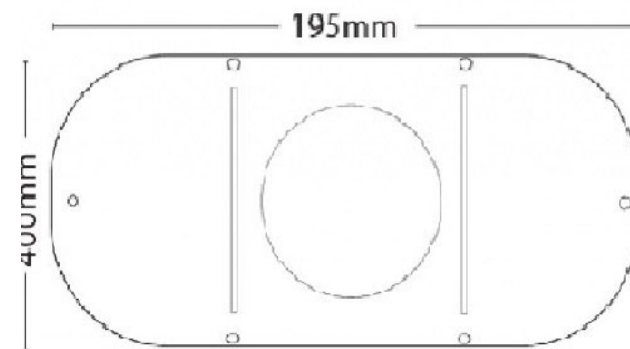
Label : EX2



Label : D



Label : CEM



Enclosure.

Label : EM1